



# INSTALLATION INSTRUCTIONS FOR PART 99-8214

## APPLICATIONS

### Toyota Tacoma 2005-2009

# 99-8214TB 99-8214TG

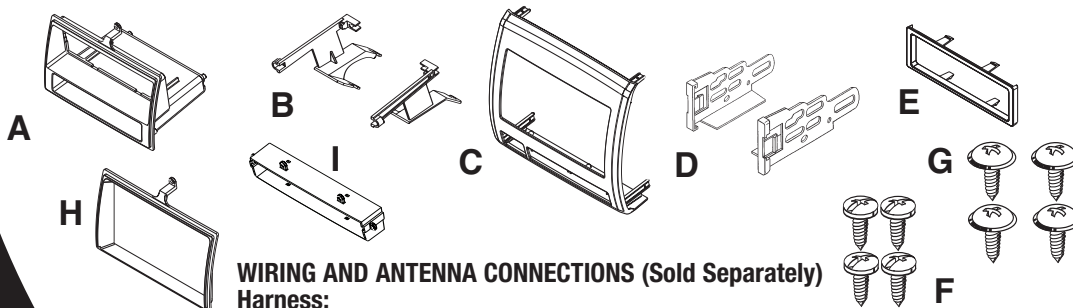
### KIT FEATURES

- DIN Head Unit Provision With Pocket
- ISO DIN Head Unit Provision With Pocket
- Double DIN Head Unit Provision
- Stacked ISO DIN Head Unit Provision
- Painted And Textured To Match Factory Dash
- Available In Two Colors:  
99-8214TB = BLACK, 99-8214TG = GRAY
- Both kits are factory "golf ball" style textured.



### KIT COMPONENTS

- A) Radio Housing • B) Radio Housing Brackets
- C) Radio Housing Trim Panel • D) ISO Brackets
- E) ISO Trim Plate • F) (4) #6 x 3/8" Phillips Pan Head Screws
- G) (4) #8 X 3/8" Phillips Truss Head Screws • H) Double DIN Trim Plate • I) Clock/Hazard Switch Bracket



### WIRING AND ANTENNA CONNECTIONS (Sold Separately)

#### Harness:

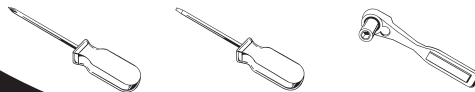
- 70-1761 - Toyota harness 1987-up
- TYTO-01 - Toyota amp interface harness 2003-up

#### Antenna Adapter:

- Not required

### TOOLS REQUIRED:

- Phillips Screwdriver • Small Flat Blade Screwdriver • Socket Wrench



1-800-221-0932



www.metraonline.com

© COPYRIGHT 2004-2009 METRA ELECTRONICS CORPORATION

# **TABLE OF CONTENTS**

---

***Dash Disassembly* ..... 1**

***Kit Preparation* ..... 2**

***Kit Assembly* ..... 3,4,5,6**

***Final Assembly* ..... 7**



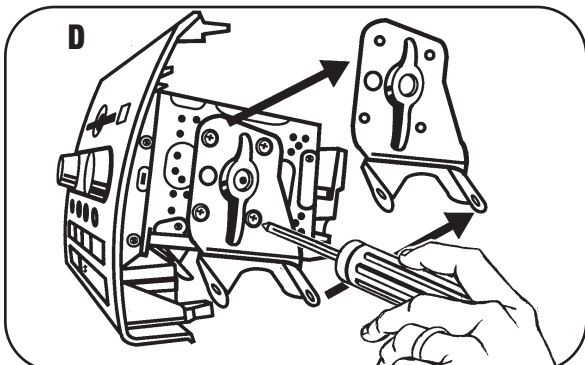
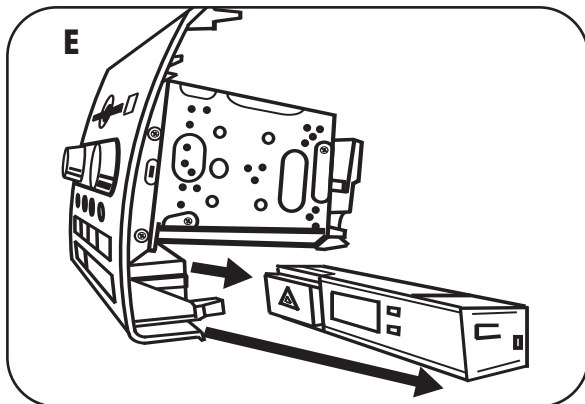
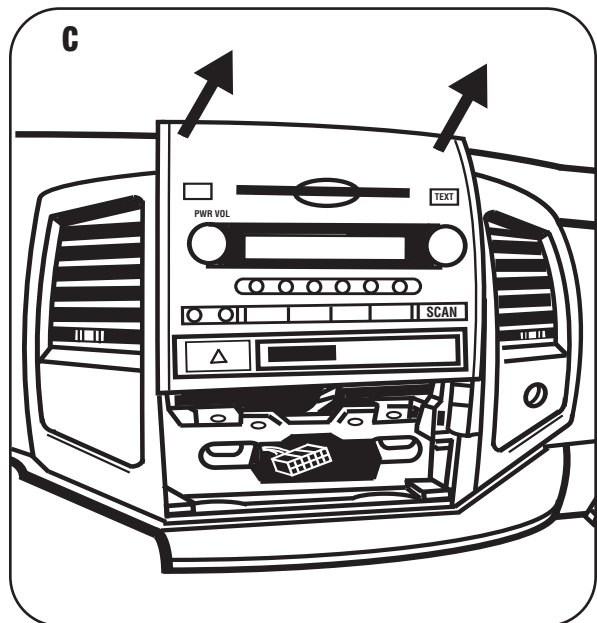
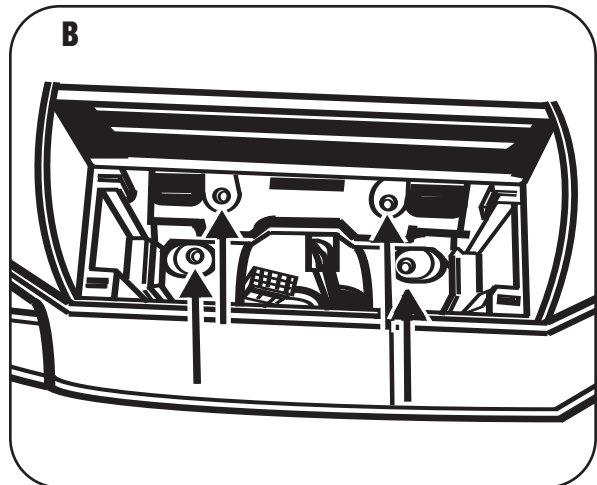
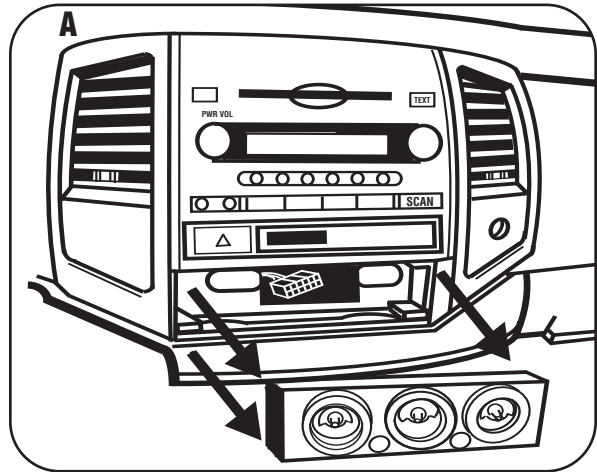
## **KNOWLEDGE IS POWER**

Enhance your installation and fabrication skills by enrolling in the most recognized and respected mobile electronics school in our industry. Log onto [www.installerinstitute.com](http://www.installerinstitute.com) or call 800-354-6782 for more information and take steps toward a better tomorrow.

## TOYOTA TACOMA 2005-2009

- 1 Disconnect the negative battery terminal to prevent an accidental short circuit.
- 2 Unclip and remove A/C control panel. (Figure A)
- 3 Remove (4) 10 MM bolts securing radio. (Figure B)
- 4 Unclip and remove entire panel including hazard switch and clock. (Figure C)
- 5 Remove the left and right radio brackets from the radio chassis. (Figure D)
- 6 Unclip and remove the clock/hazard switch assembly from the factory radio housing trim panel. (Figure E)

*Continue to Kit Preparation.*



## TACOMA 2005-2009

**(SKIP KIT PREPARATION WHEN INSTALLING DDIN RADIO)**

- 1 Attach the clock/hazard switch bracket to the radio housing using the (4) #6 x 3/8" Phillips pan head screws.

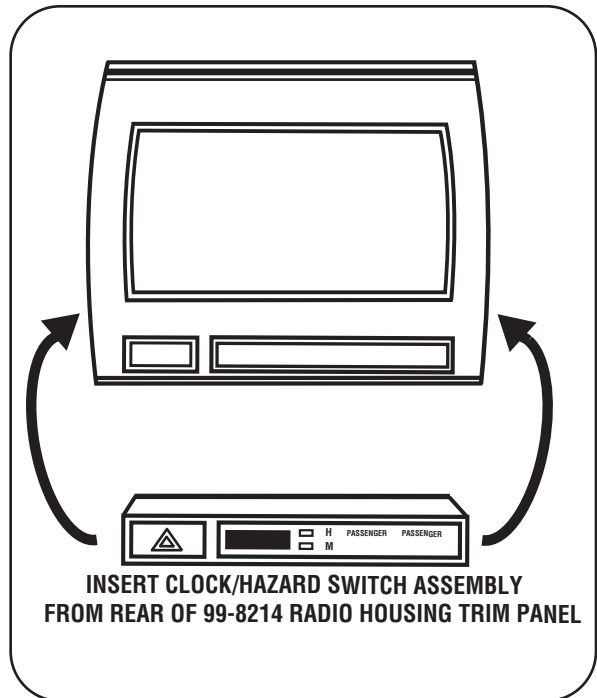
**WARNING:**

**DO NOT OVERTIGHTEN SCREWS.**

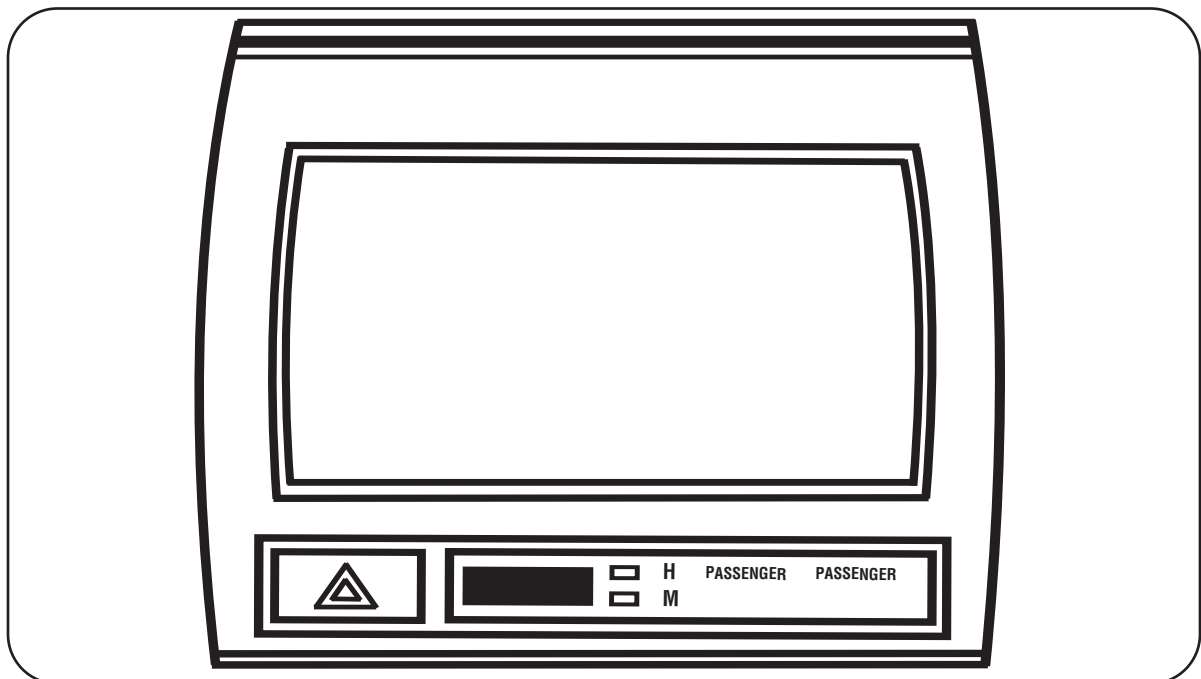
- 2 Clip the clock/hazard switch assembly into the 99-8214 Radio Housing Trim Panel. (Figure A,B)

*Continue to Kit Assembly.*

A



B



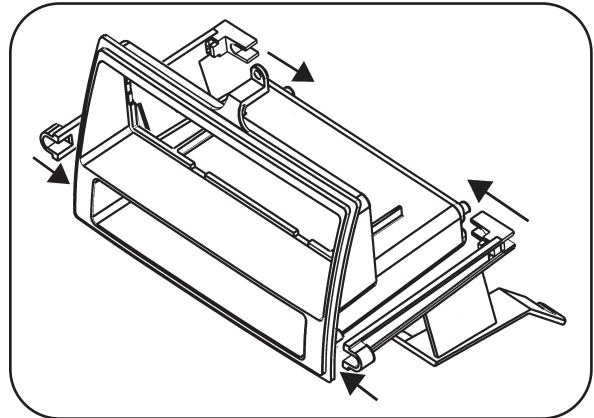
## **TOYOTA TACOMA 2005-2009**

### **DIN HEAD UNIT PROVISION**

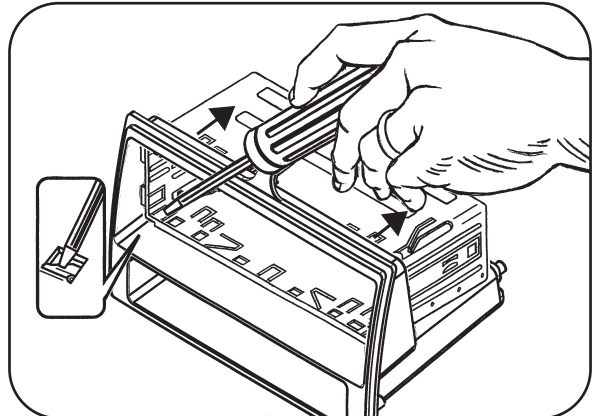
- 1** Attach the corresponding radio housing bracket to the radio housing using the included (4) #8 x 3/8" Phillips truss head screws. (Figure A)
- 2** Slide the DIN cage into the Radio Housing and secure by bending the metal locking tabs down. (Figure B)
- 3** Slide the aftermarket head unit into the cage and secure. (Figure C)
- 4** Secure the Radio Housing into the dash using the factory hardware.

*Continue to Final Assembly.*

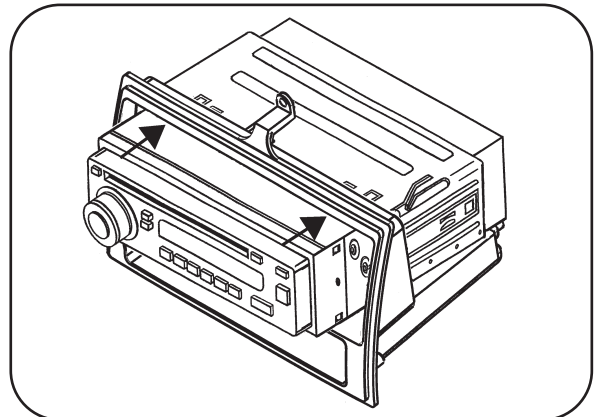
**A**



**B**



**C**

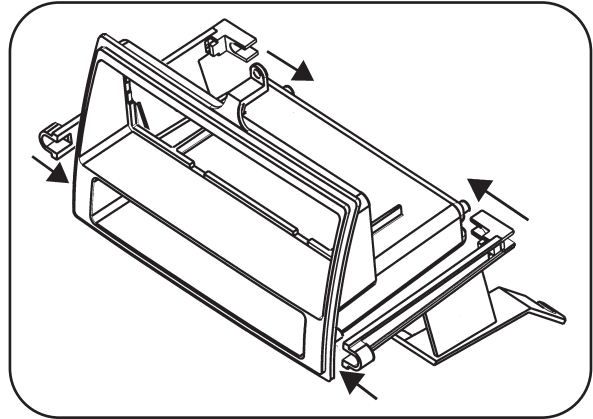


## TOYOTA TACOMA 2005-2009 ISO DIN HEAD UNIT PROVISION

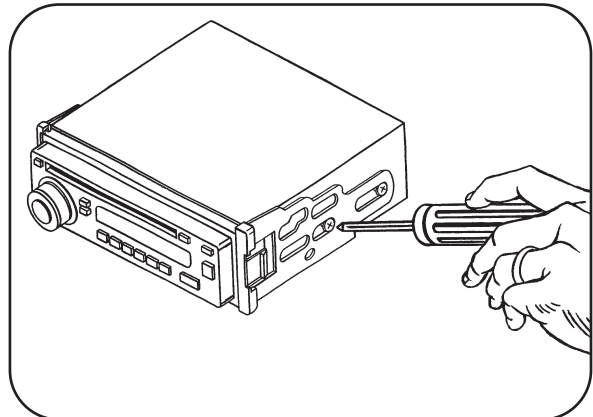
- 1** Attach the corresponding radio housing bracket to the radio housing using the included (4) #8 x 3/8" Phillips truss head screws.(Figure A)
- 2** Mount the ISO Brackets to the head unit with the screws supplied with the unit. (Figure B)
- 3** Slide the head unit into the radio opening until the side clips engage. (Figure C)
- 4** Snap the ISO Trim Plate into the Radio Housing. (Figure C)
- 5** Secure the radio housing into the dash using the factory hardware.

*Continue to Final Assembly.*

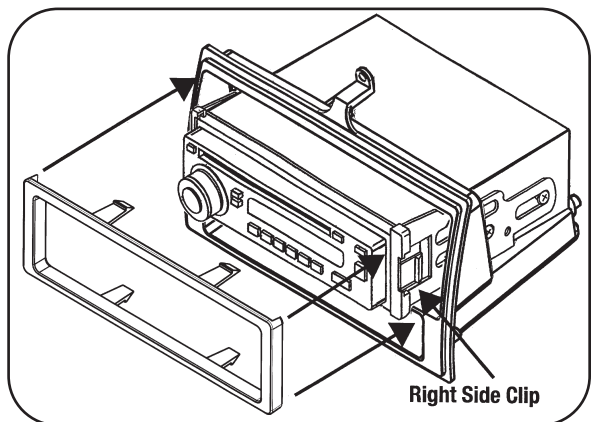
**A**



**B**



**C**

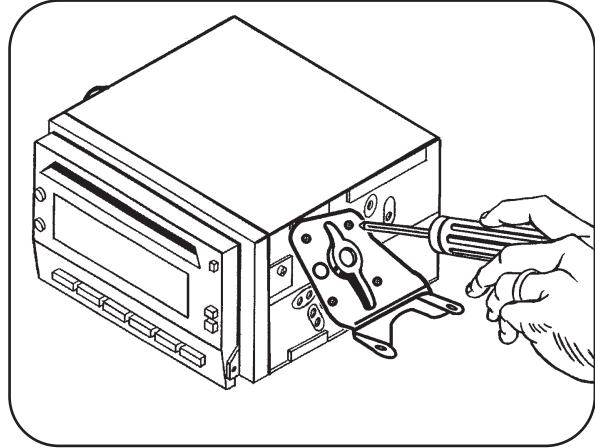


## DOUBLE DIN HEAD UNIT PROVISION

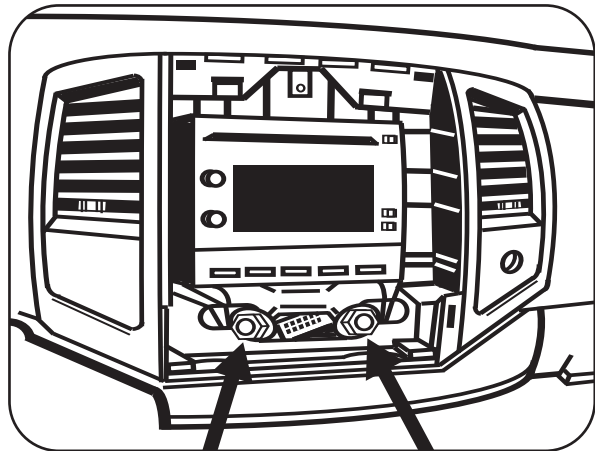
- 1 Slide the aftermarket radio unit into the factory brackets and secure the unit to the brackets using the screws supplied with the head unit. **(Figure A)**
- 2 Secure the aftermarket radio unit and factory bracket assembly into the sub dash. **(Figure B)**
- 3 Place the Double DIN trim plate into the back of the radio housing, then attach the clock/hazard switch bracket assembly using the (4) #6 x 3/8" Phillips pan head screws. **(Figure C)**  
**WARNING:**  
**DO NOT OVERTIGHTEN SCREWS.**
- 4 Clip the clock/hazard switch assembly into the 99-8214 Radio Housing Trim Panel. **(Figure D)**

*Continue to Final Assembly.*

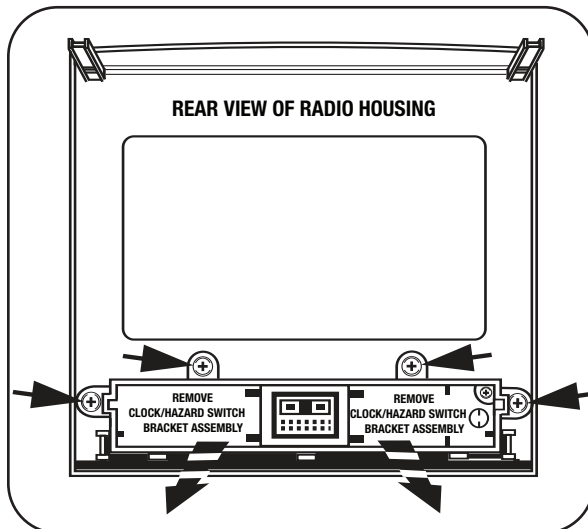
**A**



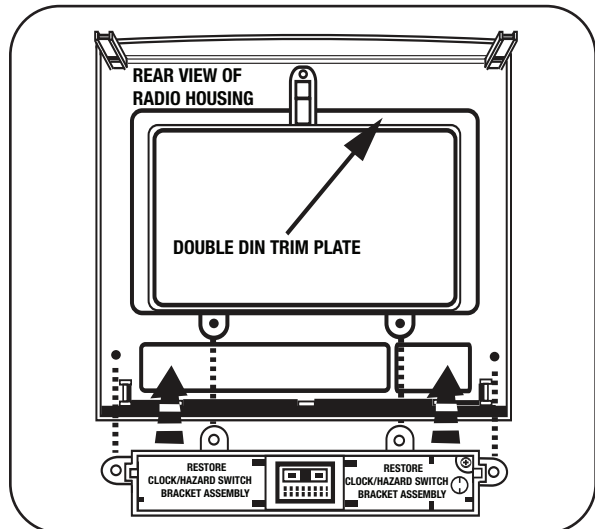
**B**



**D**



**C**

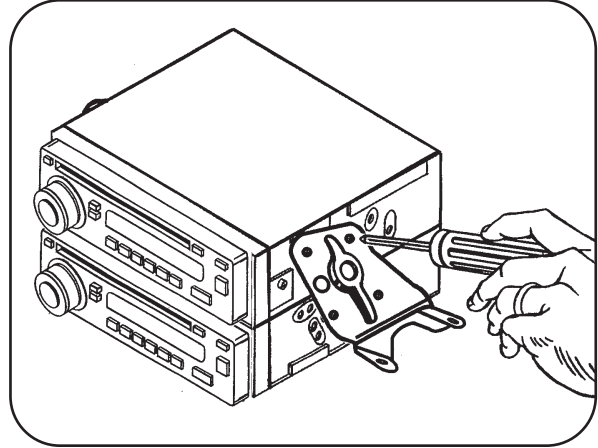


## STACKED ISO DIN HEAD UNIT PROVISION

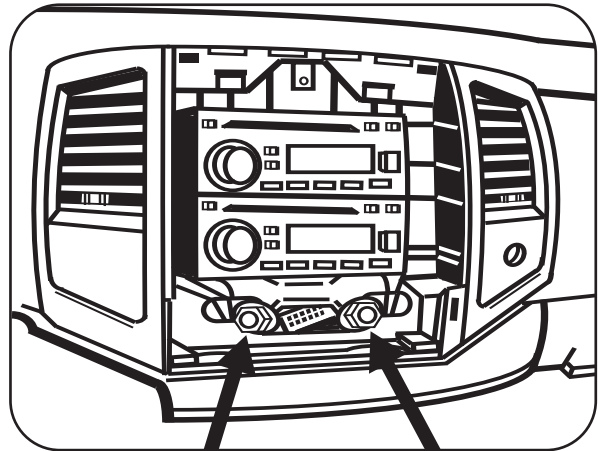
- 1 Slide the aftermarket radio units into the factory brackets and secure the unit to the brackets using the screws supplied with the head unit. (Figure A)
- 2 Secure the aftermarket radio units and factory bracket assembly into the sub dash. (Figure B)
- 3 Remove the (4) screws securing the clock/hazard switch bracket to the radio housing and remove the clock/hazard switch bracket assembly. (Figure C)
- 4 Place the Double DIN trim plate into the radio housing and replace the clock/hazard switch/bracket assembly using the (4) #6 x 3/8" Phillips pan head screws. (Figure D)

*Continue to Final Assembly.*

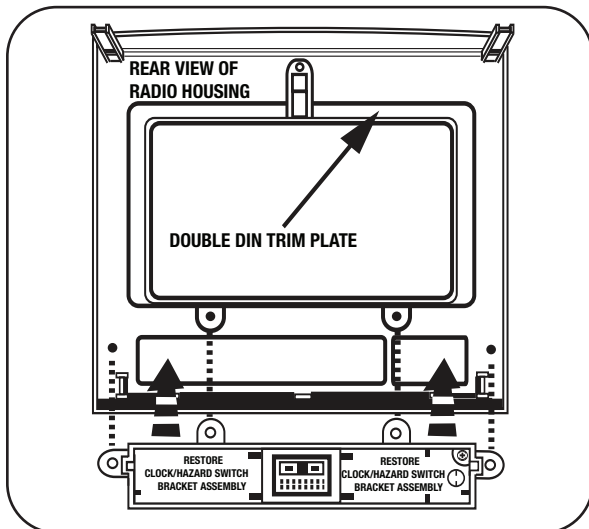
**A**



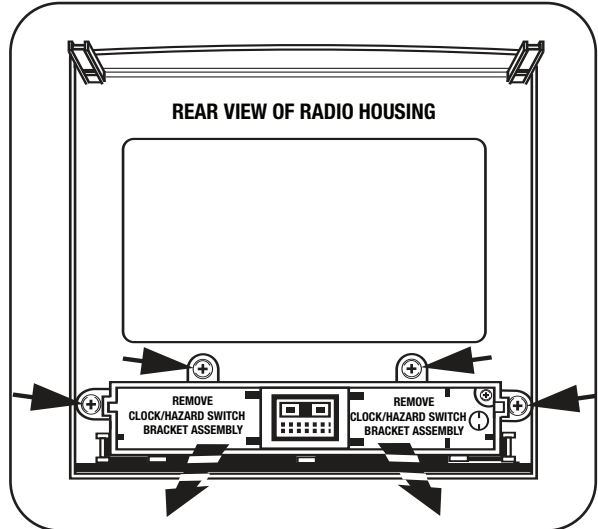
**B**



**D**



**C**



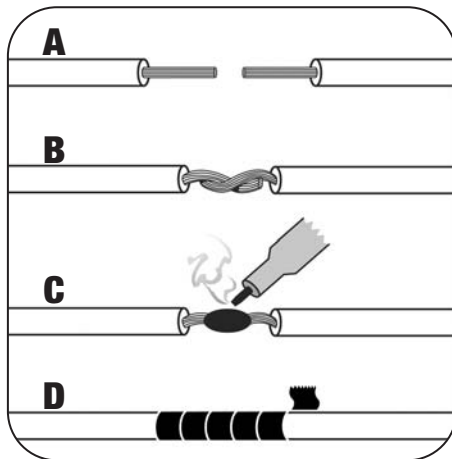


## FINAL ASSEMBLY

- 1 Locate the factory wiring harness in the dash and make the connection as shown. Metra recommends using the proper mating adapter and making the connections as shown. (Isolate and individually tape off the ends of any unused wires to prevent electrical short circuit.)
- 2 Re-connect the negative battery terminal and test the unit for proper operation.
- 3 Reassemble radio and dash assemblies in reverse order of disassembly.

### FINAL WIRING CONNECTIONS

Make wiring connections using the EIA color code chart shown below and the instructions included with the head unit. Metra recommends making connections as shown below; Strip, Splice, Solder, Tape. Isolate and individually tape off ends of any unused wires to prevent electrical short circuit.



- A) Strip wire ends back 1/2"**
- B) Twist ends together**
- C) Solder**
- D) Tape**

### METRA / EIA WIRING CODE

12V Ignition / Acc . . . Red	Right Front (+) . . . . . Gray
12V Batt / Memory . . Yellow	Right Front (-) . . . . . Gray / Black
Ground . . . . . Black*	Left Front (+) . . . . . White
Power Antenna . . . . . Blue	Left Front (-) . . . . . White / Black
Amp Turn-On . . . . . Blue / White	Right Rear (+) . . . . . Violet
Amp Ground . . . . . Black / White	Right Rear (-) . . . . . Violet / Black
Illumination . . . . . Orange	Left Rear (+) . . . . . Green
Dimmer . . . . . Orange / White	Left Rear (-) . . . . . Green / Black

**\*NOTE:** When Black a wire is not present, ground radio to vehicle chassis.  
All colors may not be present on all leads due to manufacturer's specifications.





# 99-8214 INSTRUCTIONS



**1-800-221-0932**



**[www.metraonline.com](http://www.metraonline.com)**

REV. 07/01/09 © COPYRIGHT 2004-2008 METRA ELECTRONICS CORPORATION INST99-8214